

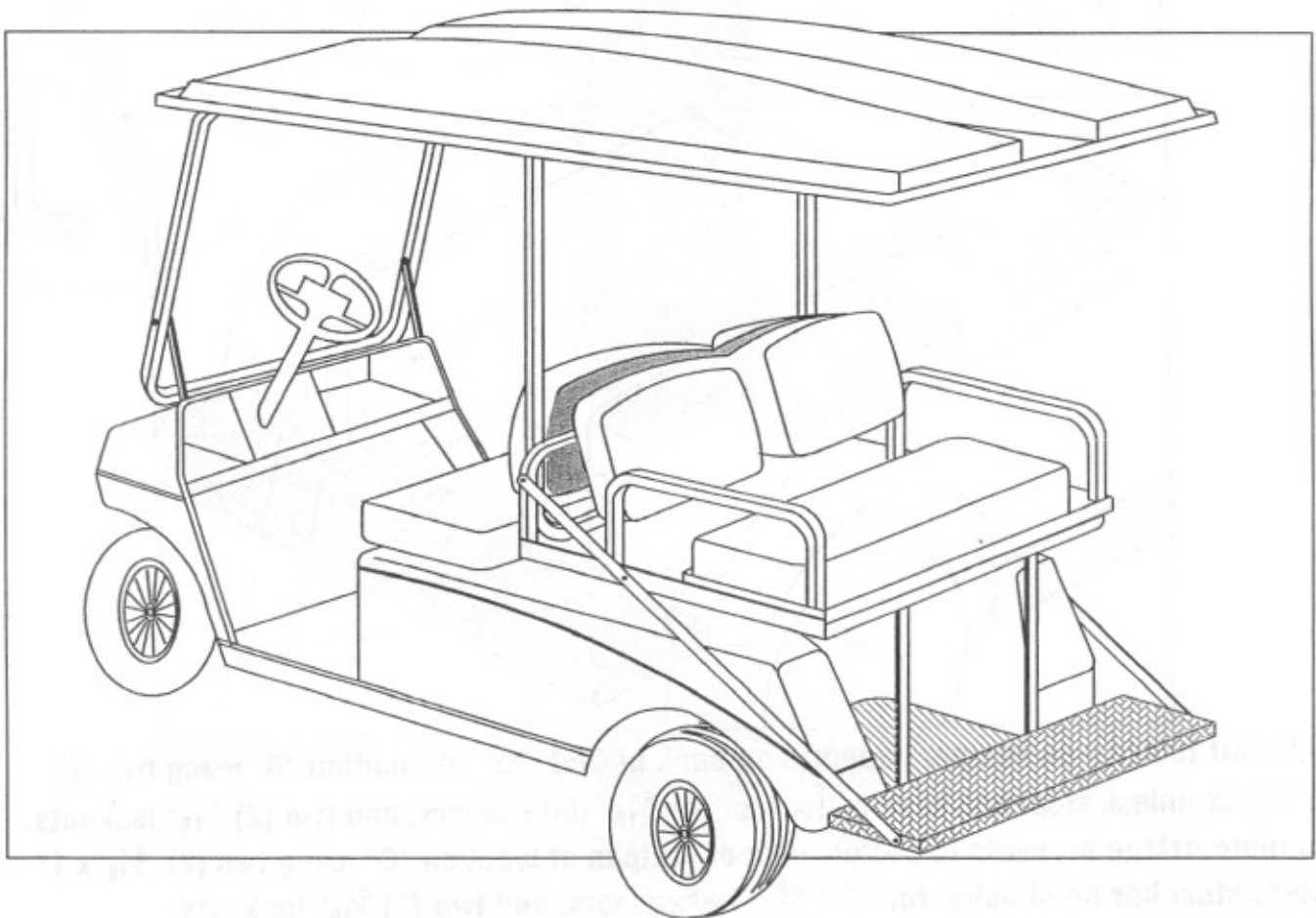
M & M VEHICLE CORP.

4 PASSENGER-PACKAGE CARRIER

PART # EC275CC00/EC280CC00

CLUB CAR 2000 & UP

INSTALLATION INSTRUCTIONS



M & M VEHICLE CORP.

19873 Hwy 22 W. Mexico MO 65265
573-581-4914

TITLE:

**EC275CC00/EC280CC00
CLUB CAR-2000 & UP- ECONOMY
INSTALLATION INSTRUCTIONS**

NOTICE

THE INFORMATION CONTAINED HEREIN IS THE PROPERTY OF M & M VEHICLE CORP. AND IT SHALL NOT BE COPIED NOR USED IN ANY MANNER EXCEPT AS EXPRESSLY AUTHORIZED.

DRAWN BY:

Charlie Newland

DATE:

Dec 29, 2006

DWG NO.

SHEET:

1 of 5

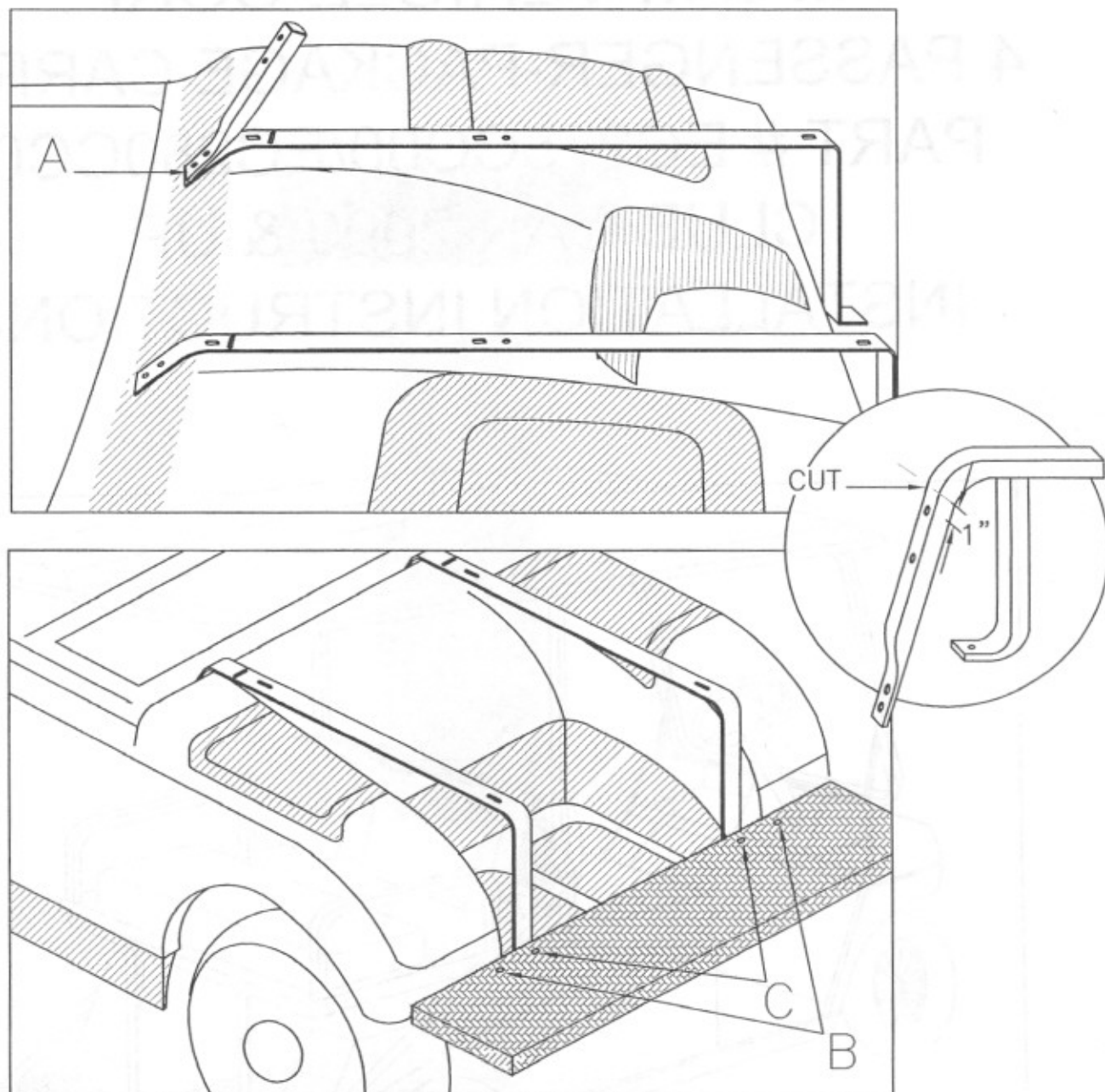
SCALE:

Not To Scale

3377-2

Step 1. Remove bumper. Cut seat back supports 1" above seat bolt hole. Bolt seat backs to shortened seat back supports. Bolt main undercarriage and shortened seat back support at location "A" using existing holes, bolts & nuts.

NOTE: DO NOT TIGHTEN ANY BOLTS UNTIL ASSEMBLY IS COMPLETED.



Step 2. Bolt footpan on bumper supports on back of Club Car at location "B" using two (2) $\frac{5}{16}$ "x $1\frac{1}{4}$ " stainless steel hex head bolts, four (4) $\frac{5}{16}$ " flatwashers, and two (2) $\frac{5}{16}$ " locknuts. Bolt undercarriage brackets to bottom side of footpan at location "C" using two (2) $\frac{5}{16}$ "x 1" stainless steel hex head bolts, four (4) $\frac{5}{16}$ " flatwashers, and two (2) $\frac{5}{16}$ " locknuts.

NOTE: All stainless steel bolts should be lubricated with oil or grease before installing nuts.

M & M VEHICLE CORP.

19873 Hwy 22 W. Mexico MO 65265
573-581-4914

TITLE:

**EC275CC00/EC280CC00
CLUB CAR-2000 & UP- ECONOMY
INSTALLATION INSTRUCTIONS**

NOTICE

THE INFORMATION CONTAINED HEREIN IS THE PROPERTY OF M & M VEHICLE CORP. AND IT SHALL NOT BE COPIED NOR USED IN ANY MANNER EXCEPT AS EXPRESSLY AUTHORIZED.

DRAWN BY:

Charlie Newland

DATE:

Dec 29, 2006

DWG NO.

3377-2

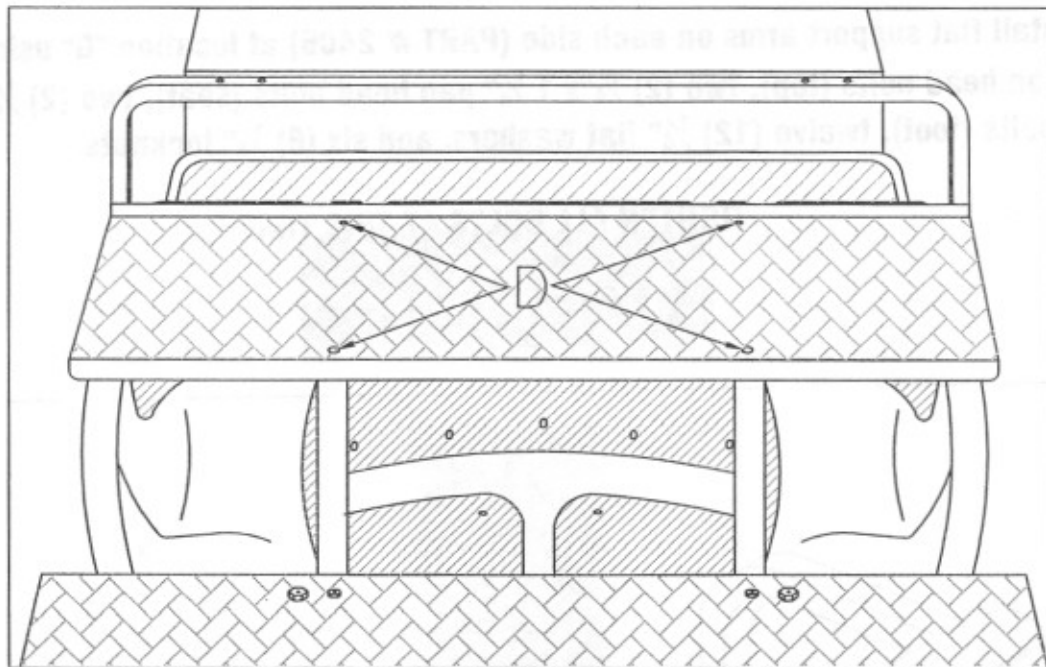
SHEET:

2 of 5

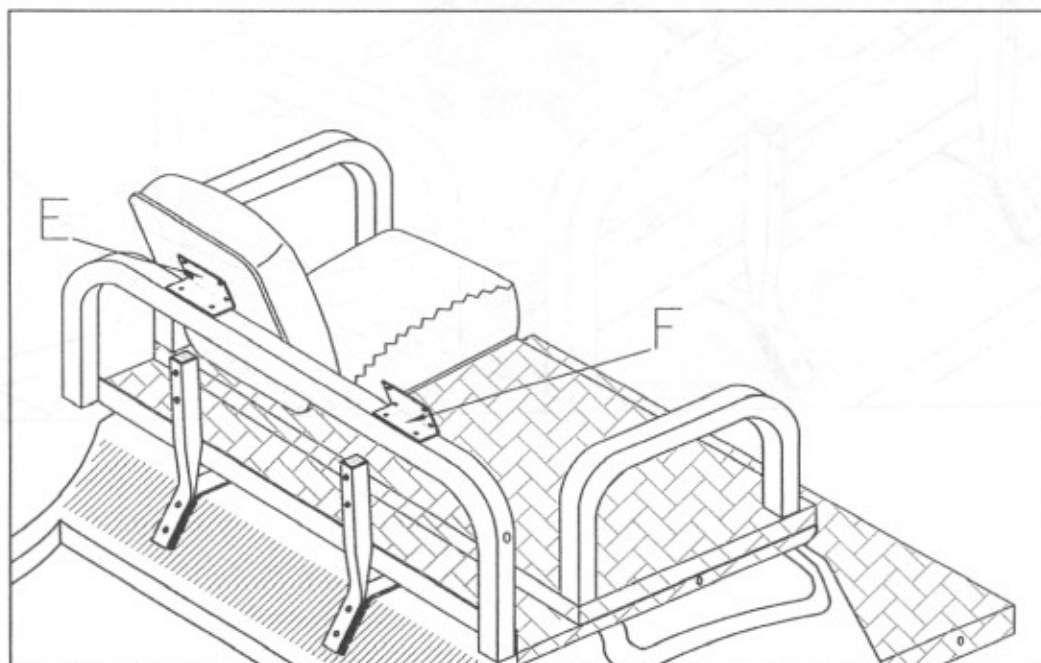
SCALE:

Not To Scale

Step 3. Install folding seat assembly to undercarriage brackets (PART # 5021) at location "D" using four (4) $\frac{5}{16}$ "x1" stainless steel carriage bolts , four (4) $\frac{5}{16}$ " flat washers & four (4) $\frac{5}{16}$ " stainless steel locknuts.



Step 4. Install M & M seat backs to seat back brackets (PART # 244) at location "E" with 8- $\frac{1}{4}$ "x $\frac{3}{4}$ " stainless steel hex head bolts and eight (8) starwashers. Bolt seat back brackets to cross bar at location "F" with four (4) $\frac{5}{16}$ "x1 $\frac{3}{4}$ " stainless steel hex head bolts, eight (8) $\frac{5}{16}$ " flat washers, and four (4) $\frac{5}{16}$ " locknuts.



M & M VEHICLE CORP.

19873 Hwy 22 W. Mexico MO 65265
573-581-4914

TITLE:

**EC275CC00/EC280CC00
CLUB CAR-2000 & UP- ECONOMY
INSTALLATION INSTRUCTIONS**

NOTICE

THE INFORMATION CONTAINED HEREIN IS THE PROPERTY OF M & M VEHICLE CORP. AND IT SHALL NOT BE COPIED NOR USED IN ANY MANNER EXCEPT AS EXPRESSLY AUTHORIZED.

DRAWN BY:

Charlie Newland

DATE:

Dec 29, 2006

DWG NO.

SHEET:

3 of 5

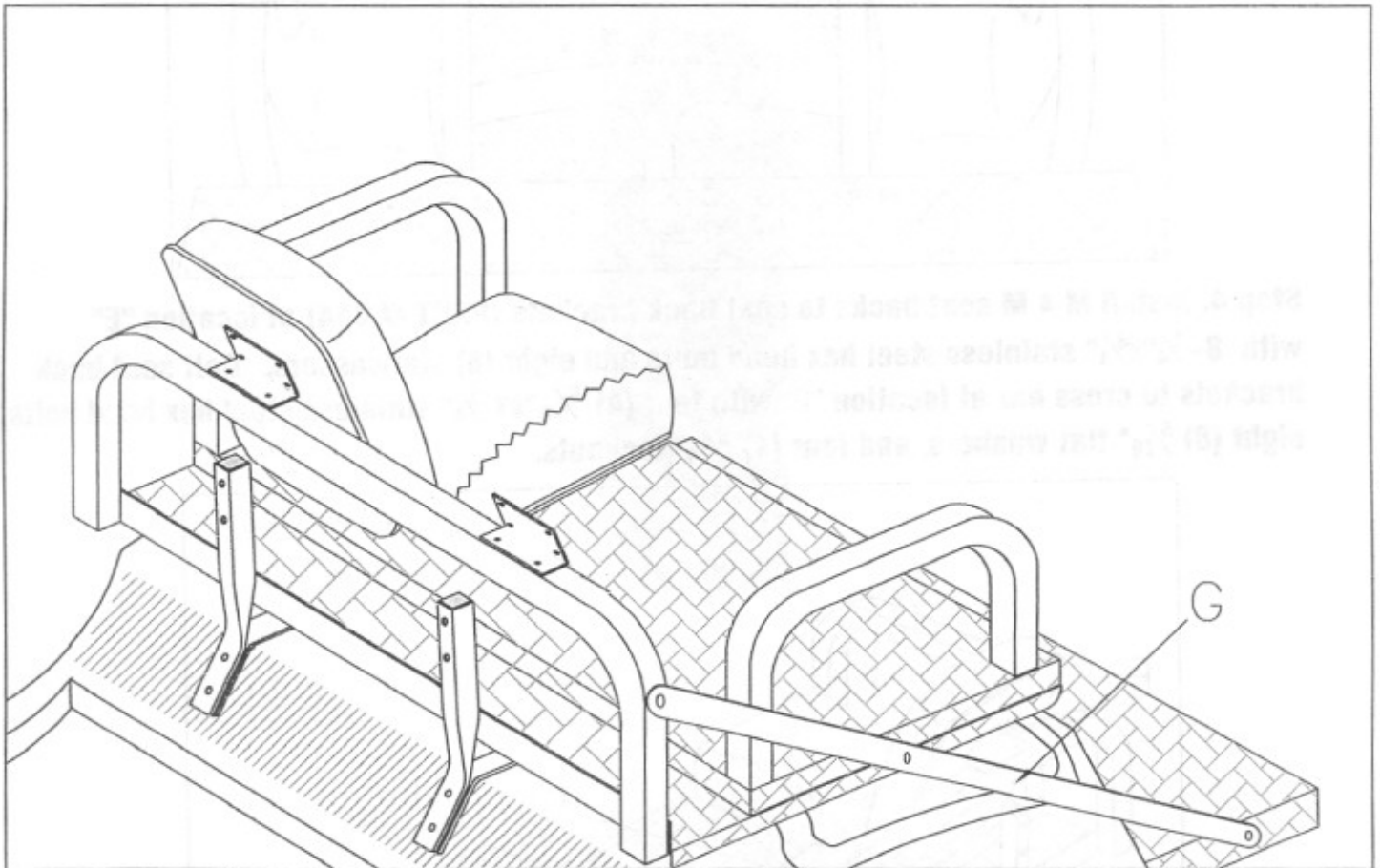
SCALE:

Not To Scale

3377-2

Step 5. Install flat support arms on each side (PART # 2405) at location "G" using two (2) 1/4"x 1 3/4" pan head bolts (top), two (2) 1/4"x 1 1/4" pan head bolts (seat), two (2) 1/4"x1" pan head bolts (foot), twelve (12) 1/4" flat washers, and six (6) 1/4" locknuts.

TIGHTEN ALL BOLTS AT THIS TIME !



M & M VEHICLE CORP.

19873 Hwy 22 W. Mexico MO 65265
573-581-4914

TITLE:

**EC275CC00/EC280CC00
CLUB CAR-2000 & UP- ECONOMY
INSTALLATION INSTRUCTIONS**

NOTICE

THE INFORMATION CONTAINED HEREIN IS THE PROPERTY OF M & M VEHICLE CORP. AND IT SHALL NOT BE COPIED NOR USED IN ANY MANNER EXCEPT AS EXPRESSLY AUTHORIZED.

DRAWN BY:

Charlie Newland

DATE:

Dec 29, 2006

DWG NO.

3377-2

SHEET:

4 of 5

SCALE:

Not To Scale

M&M VEHICLE CORP.
4 PASSENGER-PACKAGE CARRIER
ECONOMY - CLUB CAR - 2000
PART # EC275CC00&EC280CC00

Bolt kit

- 20 - 5/16" flat washers
- 12 - 5/16" locknuts
- 4 - 5/16" x 1" carriage bolts
- 4 - 5/16" x 1 3/4" hex head bolts
- 2 - 5/16" x 1 1/4" hex head bolt
- 2 - 5/16" x 1" hex head bolts

- 2 - 1/4" x 1 3/4" pan head bolts
- 2 - 1/4" x 1 1/4" pan head bolts
- 2 - 1/4" x 1" pan head bolts
- 8 - 1/4" x 3/4" hex head bolts
- 8 - 1/4" star washers
- 12 - 1/4" flat washers
- 6 - 1/4" locknuts

Box kit

Instructions

Bolt Kit

- 2 - Undercarriage bracket (PART #5021)
- 2 - black caps for square steel tubing (PART # 164)
- 2 - Seat back half bracket (PART # 244)

<p style="text-align: center;">M & M VEHICLE CORP. 19873 Hwy 22 W. Mexico MO 65265 573-581-4914</p>	<p style="text-align: center;">TITLE: EC275CC00/EC280CC00 CLUB CAR-2000 & UP- ECONOMY BOLT & BOX KITS</p>						
<p style="text-align: center;">NOTICE THE INFORMATION CONTAINED HEREIN IS THE PROPERTY OF M & M VEHICLE CORP. AND IT SHALL NOT BE COPIED NOR USED IN ANY MANNER EXCEPT AS EXPRESSLY AUTHORIZED.</p>	<table border="1" style="width: 100%; border-collapse: collapse;"> <tr> <td style="width: 33%; padding: 2px;">DRAWN BY: Charlie Newland</td> <td style="width: 33%; padding: 2px;">DATE: Dec 29, 2006</td> <td style="width: 33%; padding: 2px;">DWG NO. # 3377-2</td> </tr> <tr> <td style="padding: 2px;">SHEET: 5 of 5</td> <td colspan="2" style="padding: 2px;">SCALE: Not To Scale</td> </tr> </table>	DRAWN BY: Charlie Newland	DATE: Dec 29, 2006	DWG NO. # 3377-2	SHEET: 5 of 5	SCALE: Not To Scale	
DRAWN BY: Charlie Newland	DATE: Dec 29, 2006	DWG NO. # 3377-2					
SHEET: 5 of 5	SCALE: Not To Scale						